

DMS Force Measuring Unit



for testing single-wire stressing jacks, for force measurement on casting beds, with or without extension piece

The DMS Force Measuring Unit provides for the measurement, monitoring and checking of the tension applied to wires and strands and for the six-monthly testing of stressing jacks in accordance with DIN 1045-3 and DIN 51308.

The DMS Force Measuring Unit comprises a precision force transducer with center hole to which strain gauge strips are cemented, a display unit (measuring amplifier) and all the centering and receiving elements and discs needed for the testing of stressing jacks and for the measurement of the forces applied on prestressing beds. It is suitable for use with anchor barrel diameters of 20.5 to 60 mm.

For force measurements to be made on prestressing beds additional support pieces and intermediate pieces as detailed in leaflet 81-200 Bl.1 are needed.

For the routine testing of stressing jacks, intermediate pieces as detailed in leaflet 81-200 Bl.1 are also needed.

The force transducer is connected to the display unit via a 2.0 m long cable with a multi-pin socket.

An official calibration certificate is available at an extra charge. Recalibration every 2 years.

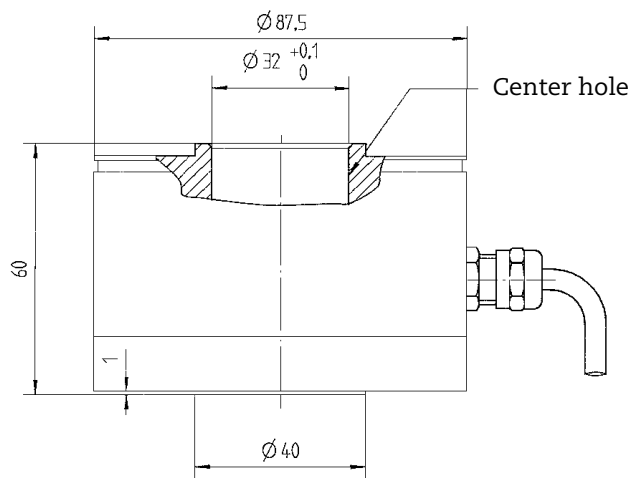
Scope of delivery:

- Display unit AE 703 incl. 3 storage batteries 1.2 V
- Force transducer
- Storage case
- Plug-in charging device
- USB cable
- Screw driver for storage battery compartment
- Force transmitting components
 - 1 Set of centering discs D5.5-D16 (see selection table)
 - 1 Centering element (13-311.07)
 - 1 Receiving element (13-311.13)
 - 1 Anchor grip receiving element (13-311.08) with sleeve (13-311.09)



| Technical Data | |
|---------------------------------|--------------------|
| Rated load: | 200 kN and 500 kN |
| Accuracy: | +/- 0.5% |
| Display: | 10 daN |
| line height | 14 mm |
| Power supply (battery): | 3.0 - 4.3 VDC |
| Dimensions of force transducer: | see figure |
| Dimensions of case: | 470 x 330 x 110 mm |
| Weight complete: | approx. 7.5 kg |

| Ordering data | | |
|--|--------------------|---------------------|
| Force Measuring Unit DMS with force transmitting elements, measuring cable 2.5 m long, batteries and battery charger in carrying case: | | |
| | Unit: | Calibration: |
| 200 kN | Ref. No. 13-311.30 | Ref. No. 25-407.79 |
| 500 kN | Ref. No. 13-311.25 | Ref. No. 25-407.90 |
| Software for data transmission to the PC available on request. | | |



| Selection table Centering discs | |
|---------------------------------|-----------|
| D _{inside} [mm] | Ref. No. |
| 5.5 | 13-311.14 |
| 7.5 | 13-311.15 |
| 10 | 13-311.16 |
| 13 | 13-311.17 |
| 16 | 13-311.18 |

| Selection table Intermediate pieces | |
|--|-----------|
| Dimensions table see brochure Detensioning support piece 81-200 Bl.1 | |
| A + F | Ref. No. |
| 20.5 | 13-300.22 |
| 24 | 13-300.23 |
| 30 | 13-300.24 |
| 38 | 13-300.26 |
| 42 | 13-300.27 |
| 45 | 13-300.29 |
| 50 | 13-300.32 |
| 60 | 13-300.31 |

Examples for application see B 301.04/1.